

Nex Flow™ Offers Pneumatic Accessories to help reduce noise levels and improve the environment as well for better operation of product.

Nex Flow™ and their master distributors and agents worldwide offer and use in the systems:

- ▶ Filters with Auto Drains
- ▶ Regulators with Gauges
- ▶ Solenoid Valves
- ▶ Shutoff Valves
- ▶ Compressed Air Fittings Hoses
- ▶ and other products to provide one stop shopping

These products are listed as follows (specifications may vary from one country to the next):

| PART NO. | DESCRIPTION |
|----------|--|
| 90001 | 3/8" Filter with Auto drain, 5 micron, 65 SCFM plastic bowl with guard |
| 90002 | 3/4" Filter with Auto drain, 5 micron, 220 SCFM metal bowl with site glass |
| 90003 | 1/4" Filter with Manual drain, plastic bowl, 27 SCFM |
| 90004 | 1/2" Filter with Auto drain, 5 micron, 43 SCFM , plastic bowl |
| 90005 | 3/8" Oil Removal Filter with Auto drain, 37 SCFM |
| 90006 | 3/4" Oil Removal Filter with Auto drain, 150 SCFM |
| 90007 | NEMA 4X Filter with Auto drain, 5 micron, 1/4" NPT |
| 90008 | 1/4" Regulator with Gauge, 50 SCFM |
| 90009 | 3/4" Regulator with Gauge, 220 SCFM |
| 90011 | Gauge only, 1/4" NPT 0 - 160 psig |
| 90012 | Manual Valve 1/4" NPT |
| 90015 | Thermostat & Solenoid Valve Kit (90017+90020) - 120V |
| 90016 | NEMA 4-4X Thermostat & Solenoid Valve Kit (90017+90018) - 120V |
| 90017 | Thermostat Only |
| 90018 | NEMA 4-4X Solenoid Valve Only (120 V) |
| 90019 | 24 V Solenoid Valve, 1/4" NPT (40 SCFM) |
| 90020 | 120 V Solenoid Valve, 1/4" NPT (40 SCFM) |
| 90021 | 240 V Solenoid Valve, 1/4" NPT (40 SCFM) |
| 90023 | Gauge only, 1/8" NPT 0 - 160 psig |

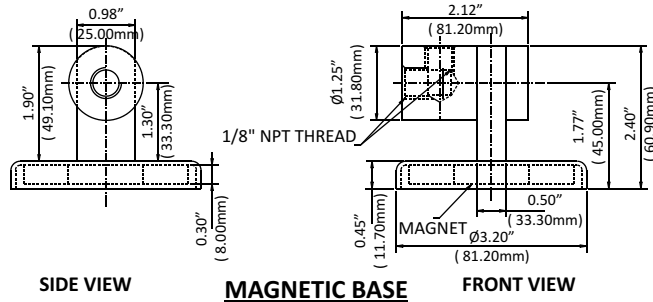
| PART NO. | DESCRIPTION |
|----------------|--|
| 90024 | NEMA 4-4X Solenoid Valve Only (220V) |
| 90027 | Oil Removal Filter, 1/4" NPT (Up to 24 SCFM) |
| 90029 | Magnetic Swivel Base. See Page M3 |
| 90029A | Mini Shut off valve for Magnetic Swivel Base. See Page M3 |
| 90034 | Medium Size Solenoid Valve, 120V, 1/2" NPT, 100 SCFM |
| 90035 | Medium Size Solenoid Valve, 240V, 1/2" NPT, 100 SCFM |
| 90036 | Large Size Solenoid Valve, 120V, 1/2" NPT, 200 SCFM |
| 90037 | Large Size Solenoid Valve, 240V, 1/2" NPT, 200 SCFM |
| 90038 | ELC CONTROL - 110V for Panel Coolers-include Solenoid Valve. See Page M3 |
| 90039 | ELC CONTROL - 220V for Panel Coolers-include Solenoid Valve. See Page M3 |
| 90040 | Foot Valve, 1/4" NPT, 60 SCFM |
| 90044 | Thermostat & Solenoid Valve Kit (90017+90021) - 240V |
| 90045 | NEMA4-4X Thermostat & Solenoid Valve Kit, 240V (90024 + 90017) |
| 90052 | 1/8" NPT Stainless Steel Swivel Fitting. See Page M3 |
| 90053 | 1/4" NPT Stainless Steel Swivel Fitting. See Page M3 |
| 90068 | 3/8" NPT Stainless Steel Swivel Fitting. See Page M3 |
| 90069 | 1/2" NPT Stainless Steel Swivel Fitting. See Page M3 |
| 90070 | 1/8" NPTM Reclassifier Muffler. See Page M4 |
| 90071 | 1/4" NPTM Reclassifier Muffler. See Page M4 |
| 90072 | 3/8" NPTM Reclassifier Muffler. See Page M4 |
| 90073 | 1/2" NPTM Reclassifier Muffler. See Page M4 |
| 90074 | 3/4" NPTM Reclassifier Muffler. See Page M4 |
| 90075 | 1" NPTM Reclassifier Muffler |
| 91018 | Solenoid for Purge Control Panel Coolers - NEMA 12 |
| 91019 | Solenoid for Purge Control Panel Coolers - NEMA 4-4X |
| 91020 | Spare Capacitor for Thermostat |
| 6RF (MM / MF) | Stainless Steel Rigid Flex Hose which can be flexed to a shape. See Page M5 |
| 12RF (MM / MF) | Stainless Steel Rigid Flex Hose which can be flexed to a shape. See Page M5 |
| 18RF (MM / MF) | Stainless Steel Rigid Flex Hose which can be flexed to a shape. See Page M5 |



MAGNETIC BASE

The Nex Flow™ Magnetic Base is used where the air operated product is required to be frequently moved. The extra strong Magnet allows for flexible Mounting, whether vertical or horizontal. Optional mini shut-off valve can be supplied.

| PART NO. | DESCRIPTION |
|--------------|---|
| Model 90029 | Single Outlet Swivel Magnetic Base - 1/4" NPT |
| Model 90029A | Mini Shut-off Valve for Magnetic Swivel Base |



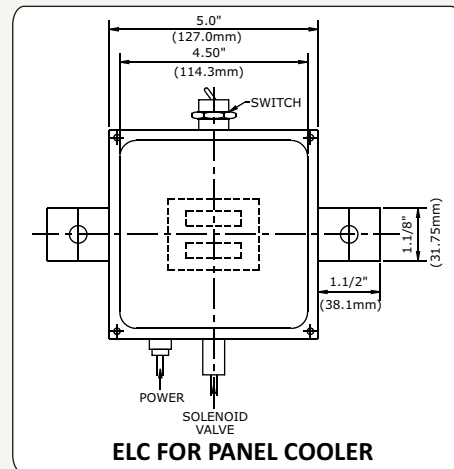
ELECTRONIC TEMPERATURE CONTROL FOR PANEL COOLERS

Electronic Thermostat The ELC (Electronic Control Digital Thermostat) is a way for precise control of one or two Nex Flow™ Frigid X™ Panel Coolers.

- ▶ **Supply voltage :** AC 120/240V
- ▶ **Sampling rate :** 4/sec (almost double that of our nearest competitor)
- ▶ **Accuracy :** 0.2% of full scale (under 10% of a degree)
- ▶ **3 Outputs :** Two Relay outputs and one with PID, 1SSR output with PID to control external SSR
- ▶ 50 to +150°C measuring range
- ▶ It has Two Alarm settings for the Two output relays so you can set Two different temperatures to control two separate solenoids for two separate coolers (and can be used to control anything electrical)
- ▶ Auto tune mode for quick set ups
- ▶ NEMA 4 Enclosure (ASS/PC), ULC approved- it is accepted anywhere in the world - Lexan door: U94-V-0
- ▶ Standard unit comes with one solenoid valve, but it can operate two units and also complete additional tasks.
- ▶ Fahrenheit or Centigrade and easily switchable back and forth



ELC FOR PANEL COOLER



ELC FOR PANEL COOLER

SWIVEL FITTINGS

NEX Flow's High Quality STAINLESS STEEL Swivel Fittings for Air Nozzles, Air Jets, small Air Knives, and Air Amplifiers allow for a 25 degree movement from the center axis (50 degree total movement) to aim and then secure in position the blowoff application.

| PART NO. | DESCRIPTION |
|-------------|-------------------------------------|
| Model 90052 | 1/8" Stainless Steel Swivel Fitting |
| Model 90053 | 1/4" Stainless Steel Swivel Fitting |
| Model 90068 | 3/8" Stainless Steel Swivel Fitting |
| Model 90069 | 1/2" Stainless Steel Swivel Fitting |



SWIVEL FITTINGS

RECLASSIFYING MUFFLERS

Reclassifying Mufflers provide excellent noise reduction - as much as 35 dBA - and more so than sintered mufflers. In addition they are used to eliminate oil mist.

The exhaust air from valves and cylinders may contain oil mist that can have a negative effect on the health of employees. OSHA standard 29 CFR 1910.10 limits the cumulative exposure to oil mist to 4.32 parts per million (PPM) in any given eight hour work period.

The Reclassifying Muffler we provide uses a patented wrap design for the removable element that separates the oil from the exhausted air virtually trapping all oil in the element. Based on an intake of 50 PPM at 100 PSIG of oil, the exhausted oil mist is reduced to 0.016 PPM. A 1/4" tube can be attached to the bottom reservoir where the oil accumulates to drain it.

Each reclassifying muffler is sized to pass a certain volume of compressed air with minimal restriction to avoid any effect on the operation of cylinder or valve. For cylinders the table below makes the model number easy to choose based on the bore size and stroke of the cylinder.

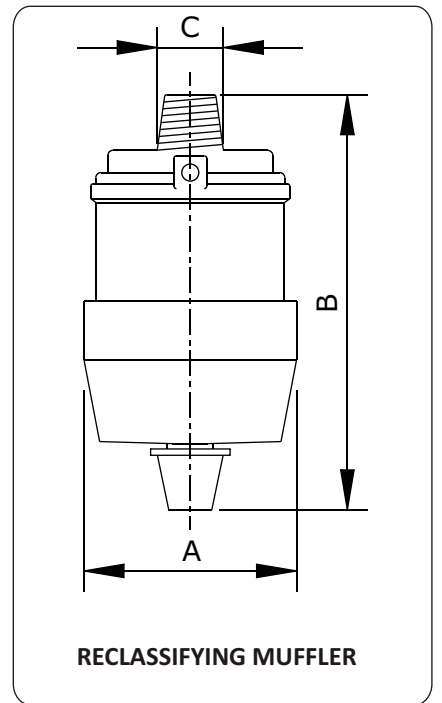


RECLASSIFYING MUFFLER

| Muffler needed to Exhaust in 1/2 second for a cylinder charged to 100 PSIG (6.9 BAR) | | | | | | | | | | | | |
|--|-----|-----|-----|-----|-----|-----|-----|-----|-----|-----|-----|-----|
| STROKE in inches | 0.5 | 1.0 | 1.5 | 2.0 | 2.5 | 3.0 | 3.5 | 4.0 | 4.5 | 5.0 | 5.5 | 6.0 |
| 3 | 0 | 0 | 0 | 0 | 0 | 0 | 0 | 0 | 0 | 0 | 0 | 0 |
| 6 | 0 | 0 | 0 | 0 | 0 | 0 | 0 | 0 | 0 | 1 | 1 | 2 |
| 9 | 0 | 0 | 0 | 0 | 0 | 0 | 0 | 0 | 1 | 1 | 2 | 2 |
| 12 | 0 | 0 | 0 | 0 | 0 | 0 | 1 | 1 | 2 | 2 | 2 | 3 |
| 18 | 0 | 0 | 0 | 0 | 0 | 1 | 2 | 2 | 2 | 3 | 4/5 | 4/5 |
| 24 | 0 | 0 | 0 | 0 | 1 | 2 | 2 | 3 | 3 | 4/5 | 4/5 | C |
| 30 | 0 | 0 | 0 | 0 | 1 | 2 | 2 | 3 | 4/5 | C | C | C |
| 36 | 0 | 0 | 0 | 0 | 2 | 3 | 3 | 4/5 | 4/5 | C | C | C |
| 42 | 0 | 0 | 0 | 1 | 2 | 3 | 4/5 | 4/5 | C | C | C | C |
| 48 | 0 | 0 | 0 | 1 | 2 | 3 | 4/5 | C | C | C | C | C |

- 0 = Model 90070
- 1 = Model 90071
- 2 = Model 90072
- 3 = Model 90073
- 4 = Model 90074
- 5 = Model 90075
- C = Contact Factory or Local Representative for assistance

| Reclassifying Muffler Dimensions | | | | |
|----------------------------------|-------------------|------------------|----------|-----------------------------------|
| MODEL | ØA in Inches (mm) | B in Inches (mm) | C | Replacement Filter Element number |
| 90070 | 1.63 (41) | 3.13 (80) | 1/8" NPT | 9007071R |
| 90071 | 1.63 (41) | 3.13 (80) | 1/4" NPT | 9007071R |
| 90072 | 2.44 (62) | 4.75 (121) | 3/8" NPT | 9007273R |
| 90073 | 2.44 (62) | 4.75 (121) | 1/2" NPT | 9007273R |
| 90074 | 3.31 (84) | 6.25 (159) | 3/4" NPT | 9007475R |
| 90075 | 3.31 (84) | 6.25 (159) | 1" NPT | 9007475R |



RECLASSIFYING MUFFLER



RIGID FLEX HOSE

The unique Nex Flow™ RIGID FLEX Hose is an all stainless steel hose that does not break after a few bends like competitive rubber hoses with simple copper inserts. It is resistant to creep and crimping. Its all stainless construction allows its use in any difficult environment.

The Nex Flow™ RIGID FLEX Hose is used to flex, direct and then hold in place air nozzles, air jets and other small blow off products such as our Model 40001 adjustable air amplifier and 3" X-Stream™ Air Blade™ Air Knife. The RIGID FLEX Hose can also be used with liquid spray jets.

The rigid flex hose is available in three different sizes 6" (152 mm), 12" (304 mm) and 18" (457 mm) and in two configurations - 1/4" male NPT welded end connection both ends or 1/4" male NPT welded connection one end and female NPT welded connection other end.

Rigid-Flex Hose used to mount an aim a Model 47010 air nozzle and connected at the other end to the Magnetic Base creating a portable blow off station.



Rigid-Flex Hose comes in Three sizes 6" (152 mm), 12" (304 mm), 18" (457 mm) and two configurations 1/4" Male Male or 1/4" Male Female Threads.



| PART NO. | DESCRIPTION |
|----------|---|
| 6RF MM | 6" overall length 1/4" NPT male to 1/4" NPT male connections |
| 6RF MF | 6" overall length 1/4" NPT male to 1/4" NPT female connections |
| 12RF MM | 12" overall length 1/4" NPT male to 1/4" NPT male connections |
| 12RF MF | 12" overall length 1/4" NPT male to 1/4" NPT female connections |
| 18RF MM | 18" overall length 1/4" NPT male to 1/4" NPT male connections |
| 18RF MF | 18" overall length 1/4" NPT male to 1/4" NPT female connections |