

FRIGID-X™ HOT AND COLD MUFFLING KITS

Achieve additional noise level reduction utilizing the Frigid-X™ Hot end and Cold End Muffling Kits Combined dbA of up to 8 Decibels

COLD END MUFFLING KIT

The Cold End Muffling Kit consists of a silencer and all necessary fittings to connect to the Panel Cooler at the cold air outlet inside the electrical control panel. Depending on the capacity of the specific Panel Cooler, the dBA reduction offered by the Cold End Muffling Kit is 5 to 6 dBA. Easy to install. Can be installed with the silencer vertical or horizontal depending on the space.

HOT END MUFFLING KIT & HEAT GUARD

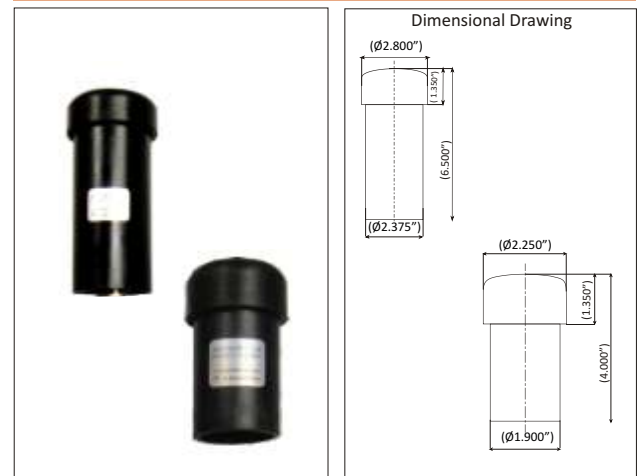
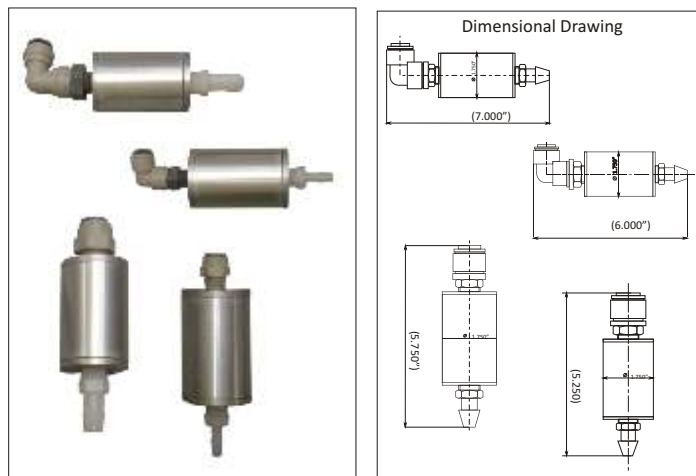
The Hot End Muffling Kit consists of an ABS Plastic sleeve with silencing material fitted over the hot end of the Panel Cooler, outside of the control panel. The dBA reduction offered by the Hot End Muffling Kit is 2 dBA. Easy to install just fit over the top of the Panel Cooler. In addition to noise reduction it offers additional protection from the hot end of the Panel Cooler.

| PART NO | DESCRIPTION |
|---------|---|
| 69501 | Cold End Muffler Kit for 60015A to 63140X |
| 69503 | Cold End Muffler Kit for 60004A to 63108X |

| PART NO | DESCRIPTION |
|---------|---|
| 69502 | Hot End Muffler Kit for 60015A to 63140X |
| 69504 | Cold End Muffler Kit for 60004A to 63108X |

Cold End Muffler kits for Models for Models 60015A to 63140X (Large Size) and 60004A to 63108X Panel Coolers (Small size)

Hot End Muffler kits for Models for Models 60015A to 63140X (Large Size) and 60004A to 63108X Panel Coolers (Small size)



| PART NO | DESCRIPTION |
|---------|---|
| 69505 | Cold End and Hot End Combination Muffler Kit for 60015A to 63140X |
| 69506 | Cold End and Hot End Combination Muffler Kit for 60004A to 63108X |

