

X-STREAM™ HAND VAC

Use as a Blow Gun or as A Vacuum to Clean or Transfer Solid Material with no moving parts.

WHAT ARE THEY - REASONS TO USE

The X-Stream™ hand vac is the low cost solution to a variety of industrial housekeeping applications. It is a blow gun, a vacuum gun, a collection system and a transfer system in one simple package.

The X-Stream™ hand vac is light weight die cast aluminum and uses less air than a normal blow gun. The amplified air flow is approximately 12 times the air consumption. It draws a vacuum at one end to produce a high vacuum for collection or transfer of materials. It is easily converted from a blow gun into a vacuum gun and back again.

In blowoff mode, the 1-1/4" (32 mm) diameter allows it to cover a much greater area than a small blow gun for faster cleaning and drying. It can also be used to transfer material over a long distance using a vacuum hose which can be supplied. In vacuum mode, it can be used to vacuum up debris if more appropriate than blowing air, and debris can be collected in an available reusable vacuum bag.

X-STREAM™ HAND VAC FEATURES:

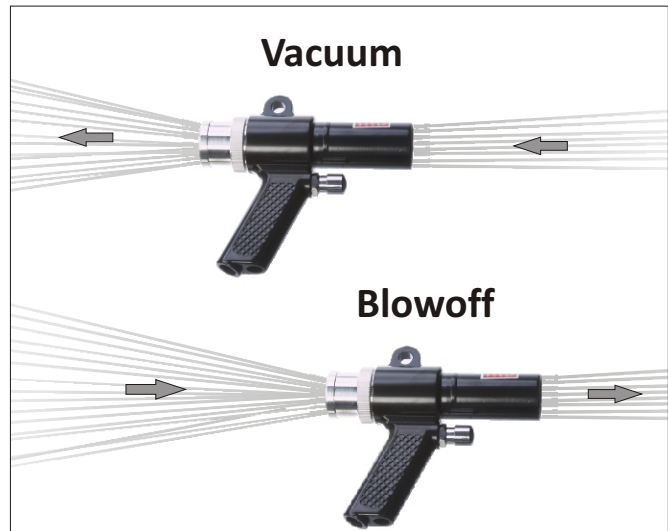
- ▶ No moving parts.
- ▶ Driven by air not electricity.
- ▶ Die Cast construction.
- ▶ Can switch from blowoff mode to vacuum in seconds
- ▶ Lightweight and portable
- ▶ No moving parts

X-STREAM™ HAND VAC BENEFITS:

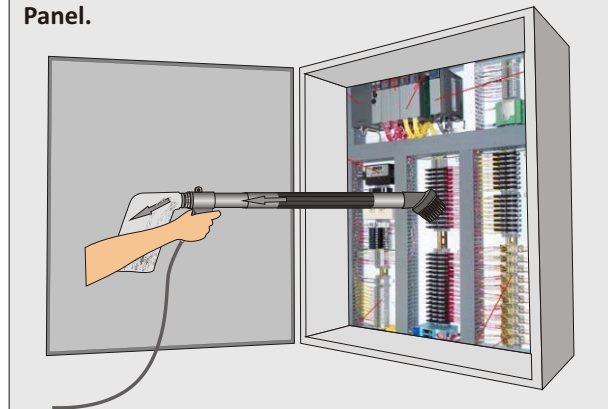
- ▶ Maintenance Free
- ▶ Safe and Long life
- ▶ Durable
- ▶ Flexible in use - vacuum or blowoff
- ▶ Ergonomic - comfortable to use
- ▶ Maintenance free

APPLICATIONS:

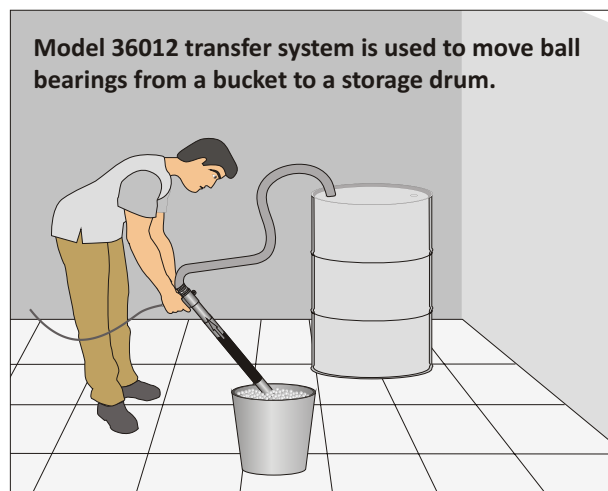
- ▶ Clean machinery and controls
- ▶ Blowoff coolant, water, chips, scrap
- ▶ Vacuum sawdust and solid spills, shavings, waste
- ▶ Transfer small parts, trim, materials



Model 36011 Hand Vac collection system is used to clean & collect dust & dirt from inside a Control Panel.

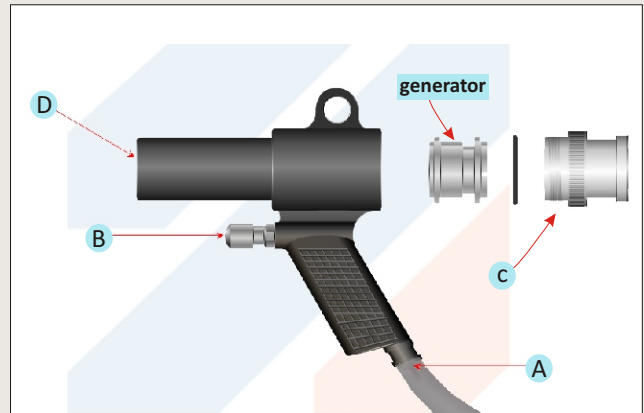


Model 36012 transfer system is used to move ball bearings from a bucket to a storage drum.



X-STREAM™ HAND VAC - HOW IT WORKS

X-Stream™ Hand Vac - Compressed air enters at point (A) and is allowed to flow into the Hand Vac using the trigger at point (B). Air either exits at point (C) for blow off or point (C) is a vacuum depending on the setup of the generator inside the Hand Vac. Similarly at point (D), air either enters (in blow off mode) or exits (vacuum mode). The generator inside can be reversed to change mode from blow off to vacuum and back again as required.



IN BLOW MODE THE X-STREAM™ HAND VAC CONSUMES LESS AIR THAN ORDINARY BLOW GUNS

SPECIFICATIONS:

The X-Stream™ Hand Vac uses only 13 SCFM (368 SLPM) at 80 PSIG (5.5 Bar) to produce a vacuum of - 29.5 inches water (-7 kPa) and produces a force of 9 ounces (255 grams). Standard inlet is ¼" NPT

X-STREAM™ HAND VAC

PART NO.	DESCRIPTION
36011	X-Stream™ Hand-vac collection system
36012	X-Stream™ Hand-vac transfer system
36013	X-Stream™ Hand-vac all purpose system
36001	X-Stream™ Hand-vac Only

ACCESSORIES

PART NO.	DESCRIPTION
90001	Filter with auto drain
90005	Oil Removal filter with auto drain



Model 36011 - Collection System consists of X-stream™ hand vac plus reusable collection bag, cleaning brush, crevice tool, skimmer tool, two extension wands, and stainless steel hose clamp



Model 36012 - Transfer System consists of X-stream™ hand vac plus 10 foot (3 m) vacuum hose with cuffs at both ends, cleaning brush, crevice tool, skimmer tool, two extension wands, and stainless steel hose clamp



Model 36013 - All Purpose System consists of X-stream™ hand vac plus 10 foot (3 m) vacuum hose with cuffs at both ends, reusable collection bag, cleaning brush, crevice tool, skimmer tool, two extension wands, and stainless steel hose clamp.

SPECIALTY SMART N CLEVER™ PRODUCTS™