



OPERATING INSTRUCTIONS

FOR NORTECH COMPRESSED AIR POWERED INDUSTRIAL VACUUMS

Please save these instructions

and the accompanying replacement parts information
for your future reference.

FOR YOUR SAFETY

Make all compressed air connections with the compressed air source turned off at the nearest valve. Disconnect compressed air connections only after the compressed air supply has been turned off and the air supply hose vented by opening the valve on the vacuum head. NEVER disconnect a pressurized compressed air hose.

AIR SUPPLY:

Adequate compressed air supply is essential to the proper performance of your NORTECH vacuum. Compressed air requirements are as follows:

- All B-Series Models (i.e., 551B, 551BC-X, 301B-X, 301BC, et al)68 c.f.m.
- All D-Series Models (i.e., 551D, 551DC, 301D, 151DC, 081DC, et al)47 c.f.m.
- All S-Series Models (i.e., 151SC, 081SC, et al)20 c.f.m.
- All M-Series Models (i.e., 041MC, 081MC, et al)20 c.f.m.
- All Dual-Venturi Models (i.e., 552B, 552BC, et al)110 c.f.m.

Please note that these requirements are for compressed air volume, not pressure. The recommended operating pressure for all models is 100 p.s.i.g., although all models will operate at lower pressures with a corresponding reduction in performance.

"B" and "D" models are supplied with universal couplings for compressed air supply hose, and the use of at least 3/4" I.D. air hose is recommended for these models. Complete Unit "B" and "D" models are supplied with 20 feet of 3/4" I.D. air hose with matched couplings. All "B" and "D" models include safety clips for the universal couplings – use them.

Complete Unit "S" models are supplied with 20 feet of 1/2" I.D. compressed air supply hose with quick couplings; this is the minimum recommended air hose diameter for this model.

Complete Unit "M" models are supplied with 12 feet of 3/8" I.D. compressed air supply hose with a quick-coupling for the vacuum head and a threaded fitting for your air source. This is the minimum recommended air hose diameter for these models.

On all models, use of smaller-diameter air hose or small-bore air fittings will seriously restrict performance. Use the recommended hoses and fittings.

SET-UP and OPERATION, 55-GALLON and 30-GALLON MODELS:

Place the vacuum head on the drum. When using your own drum, be certain that the drum has no dents in the top edge and is air-tight. The gasket on the vacuum head must form a complete seal with the top edge of the drum.

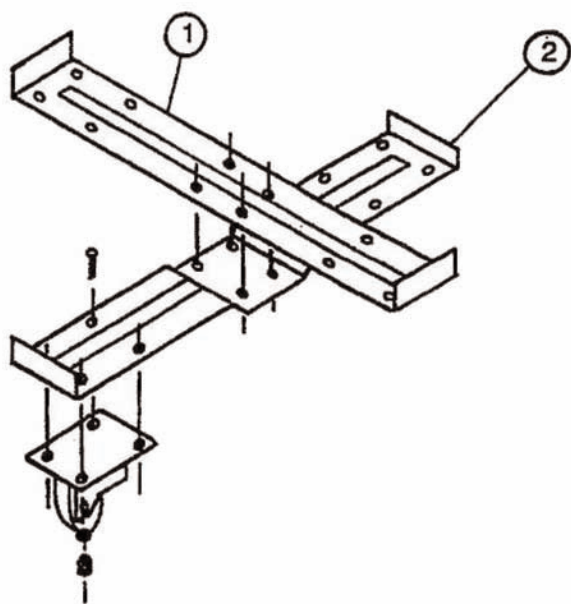
Connect the vacuum hose to the vacuum head by placing the hose adapter in the inlet elbow on the vacuum head, then slip the hose end onto the adapter.

Connect pickup tools to the hose by slipping the desired tool into the opposite hose end.

Connect the compressed air supply hose to the vacuum head at the shut-off valve by twisting the universal couplers together until they lock. Install the safety clips. Turn on the compressed air supply and open the shut-off valve on the vacuum head to operate the unit.

Before picking up liquids, remove the internal filter, which is retained by three springs. For continuous liquid pick-up, the liquid shut-off accessory (optional) should be installed in place of the internal filter and retained by the same three springs. (On units ordered from the factory with the liquid shut-off, the liquid shut-off is shipped in place, under the internal filter.)

To assemble the drum dolly that is supplied as standard equipment for all 55-Gallon and 30-Gallon Complete Unit models, and that is available for all other 55-Gallon and 30-Gallon models, refer to the sketch and instructions below:



Position and attach the straight cross member (1) on top of the offset cross member (2) using four of the 1/4"-20 x 5/8" machines screws, lock washers and nuts provided. Tighten all screws with a wrench and screwdriver.

Position and attach one swivel caster on each end of each cross member. Mount the caster plates to the underside of the cross members using 16 of the 1/4"-20 x 5/8" machines screws, lock washers and nuts provided. Tighten all screws with a wrench and screwdriver.

Caution: Maximum load capacity is 1,000 pounds. This drum dolly is designed only for use on conventional round drums.

SET-UP & OPERATION, 15-GALLON MODELS:

The vacuum head seals to the drum by means of the gasket that is part of the internal filter assembly. The unit must be operated only with this filter in place or with the optional liquid shut-off in place. (On units ordered from the factory with the liquid shut-off, typically the liquid shut-off is shipped installed and the internal filter is packed on top of the unit.)

Connect the vacuum hose to the swivel connector by slipping the hose end onto the connector. This is an intentionally tight fit. The swivel connector then attaches to the fitting on the front of the canister by twisting to the right.

Connect pickup tools to the hose by slipping the desired tool into the opposite hose end.

On Model 151DC, connect the compressed air supply hose to the vacuum head at the shut-off valve by twisting the universal couplers together until they lock. Install the safety clips. On Model 151SC, 1/2" I.D. compressed air hose with push-type quick couplings is supplied. Once compressed air connections are made, turn on the compressed air supply and open the shut-off valve on the vacuum head to operate the unit.

SET-UP & OPERATION, 8-GALLON MODELS:

The vacuum head seals to the drum by means of the gasket that is part of the internal filter assembly. The unit must be operated only with this filter in place or with the optional liquid shut-off in place. (On units ordered from the factory with the liquid shut-off, typically the liquid shut-off is shipped and installed and the internal filter is packed on top of the unit.)

Connect the vacuum hose to the swivel connector by slipping the hose end onto the connector. This is an intentionally tight fit. The swivel connector then attaches to the fitting on the front of the canister by twisting to the right.

Connect pickup tools to the hose by slipping the desired tool into the opposite hose end. On Model 081MC, the vacuum hose supplied is a unidirectional hose, with one end sized to fit the swivel connector and the other end fitted with a tool coupling to accept the pickup tools.

On Model 081DC, connect the compressed air supply hose to the vacuum head at the shut-off valve by twisting the universal couplers together until they lock. Install the safety clips. On Model 081SC, 1/2" I.D. compressed air hose with push-type quick couplings is supplied. On Model 081MC, 3/8" I.D. compressed air hose with push-type quick couplings is supplied. Once compressed air connections are made, turn on the compressed air supply and open the shut-off valve on the vacuum head to operate the unit.

SET-UP & OPERATION, 4-GALLON MODELS:

The vacuum head seals to the drum by means of the gasket that is part of the internal filter assembly. The unit must be operated only with this filter in place. There is no provision for a liquid shut-off on the 4-gallon model, so only intermittent, small volume liquid pickup should be performed with this unit, taking care not to fill the canister and saturate the internal filter.

The vacuum hose supplied is a unidirectional hose, with one end sized to fit the swivel connector and the other end fitted with a tool coupling to accept the pickup tools. Connect the vacuum hose to the swivel connector by slipping the hose end onto the connector. This is an intentionally tight fit. The swivel connector then attaches to the fitting on the front of the canister by twisting to the right. Connect pickup tools to the hose by slipping the desired tool onto the tool coupler on the opposite hose end.

3/8" I.D. compressed air hose with push-type quick couplings is supplied. Once compressed air connections are made, turn on the compressed air supply and open the shut-off valve on the vacuum head to operate the unit.

FOR ALL MODELS: Clean or replace the internal filter periodically, to ensure maximum performance. In addition, clean or replace the exhaust silencer (inside the exhaust housing) periodically, for full performance.

On 55-Gallon and 30-Gallon models, periodically examine the cover gasket for cuts or deterioration. On 15-Gallon, 8-Gallon and 4-Gallon models, periodically examine the cover gasket that is part of the standard internal filter or the optional liquid shut-off for cuts or deterioration.

STATIC CONDUCTIVE MODELS:

Nortech manufactures several models of vacuum with static conductive features that eliminates static electricity by incorporating static conductive components to suppress static charges. Should stray static electrical charges become generated, these charges are immediately dissipated through the electrically inter-connected conductive external components. For an added measure of protection, users can ground the vacuum by connecting the external grounding lug to electrical ground through the optional grounding clamp and cable.

To insure proper bonding (connectivity between components), make sure you only use the factory supplied parts with your static conductive vacuum. The static conductive vacuum hose should be pushed firmly onto the vacuum hose adapter in the inlet elbow, and firmly onto all vacuum tools.

Always inspect all vacuum components before use, and replace worn parts as needed.

If you have questions about the necessity for static grounding, consult with a qualified safety engineer.

WARNING !

Fire/Explosion Danger

Nortech vacuums, like all other electric and pneumatic vacuums, generate static electric charges. Factory installed kits to control static electricity, the use of static conductive hoses and grounding straps, and Nortech Static Conductive Pneumatic Vacuums are intended to control and eliminate static electric shocks only to the operators of the vacuums. Nortech vacuums are NOT APPROVED OR SAFE to use in any hazardous (classified) location, such as locations determined under NFPA 70 (National Electrical Code) to be Class I (flammable liquids, gases and vapors -- includes all Class I Divisions and IEC Zones), Class II (combustible dust -- includes all Class II Divisions and IEC Zones) and Class III (ignitable fibers and flyings -- includes all Class III Divisions and IEC Zones).

The above warning appears on all Nortech vacuums and MUST be kept visible to operators at all times.

CALL TOLL FREE (800) 482-7324

The Nortech FOREVER WARRANTY:

Nortech Vacuum Products Division of Guardair Corporation (“Nortech”) warrants its Nortech Compressed Air Powered Industrial Vacuums to be free from defects in materials and workmanship for as long as the original end-user purchaser owns the product, except as provided below. Nortech will, at its option, repair or replace with comparable product, any product, part, or component, which fails under normal use as a result of such defect. This warranty does not apply to damage caused by the carrier; normal wear and tear; deterioration due to solvents, corrosives, environmental conditions or harsh vacuumed material; soiling, saturation, or perforation of filters or exhaust silencers; consumable components; modifications to the product; attachments to the product not sold by Nortech; or any product not installed, used, or maintained in accordance with the foregoing and other published Nortech instructions and warnings.

Consumables purchased from Nortech, including attachments, vacuum hose, filters, exhaust silencers, and cover gaskets are warranted for a period of 90 days against defects in materials and workmanship, subject to the same exclusions noted above.

This warranty covers the original purchase of new product by an end-user for normal industrial or commercial use only when installed and used as specified and in accordance with published operating instructions and within all applicable regulatory rules, limits, and guidelines.

THIS WARRANTY IS THE ONLY WARRANTY MADE BY NORTECH FOR THIS PRODUCT, AND ALL OTHER WARRANTIES, EXPRESS OR IMPLIED, INCLUDING BUT NOT LIMITED TO THE IMPLIED WARRANTIES OF MERCHANTABILITY AND FITNESS FOR A PARTICULAR PURPOSE ARE DISCLAIMED.

Nortech’s sole obligation and the end-user purchaser’s exclusive remedy under this warranty shall be limited to the repair or replacement, at the sole discretion of Nortech, of product or components. In no event shall Nortech be responsible for special, consequential or incidental damages arising out of a claim for defective product or failure of warranty. All labor and material costs of repair or replacement under this warranty shall be the responsibility of Nortech. Shipping costs to and from the purchaser associated with repair or replacement under this warranty shall be the responsibility of Nortech for a period of one year from the date of sale, and shall be the responsibility of the purchaser thereafter.

This warranty applies to purchasers within and products used within the United States and Canada only.

To obtain service under this warranty, within 30 days of the discovery of the defect, the end-user purchaser must contact the dealer or distributor from whom the product was purchased, or contact Nortech at the address shown below. The purchaser must provide a reasonable opportunity for inspection and investigation of the claim, prior to any repairs or alteration to the product. Until the claim is resolved, the purchaser must discontinue use of the product if continued use creates or exacerbates problems associated with, or incidental to, the defect.

Proof of purchase will be verified by the selling party and applicability of the warranty will be determined by Nortech. Nortech will determine whether to provide replacement parts, provide repair service or replace the product. Written approval from Nortech must be obtained before any warranty work is performed. Any repairs performed by persons other than Nortech or its authorized dealers or distributors will void this warranty.

QUESTIONS? You may contact Nortech with any questions concerning application, operation, and performance of your Nortech vacuum, regardless of the original purchase date.